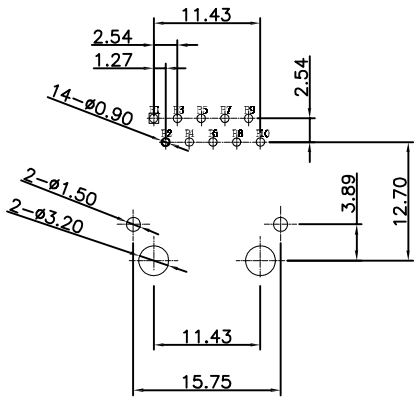
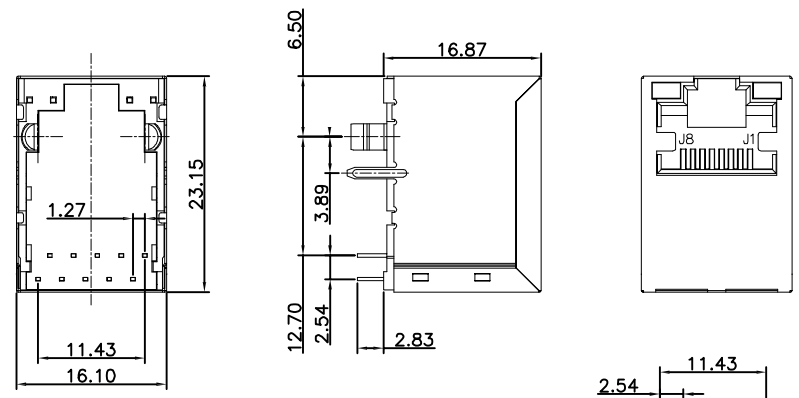


This information is confidential and shall not be reproduced or used for other purposes without the permission of huaxin company.

更改 REV	更改内容 MODIFICATION	日期 DATE	制图 DRAW	核准 APPROVE
A	图面新发行	2023/4/17	HMD	David



Pin	Green	Yellow	
P11	+	P13	+
P12	-	P14	-

P.C.B RECOMMENDED HOLE LAYOUT SEEN FROM COMPONENT SIDE.
 ALL CENTERLINE DIMENSIONS ARE BASIC (Jack Top View)
 Tolerance: ±0.05mm

NOTES:

Material:

- Housing Material : THERMOPLASTIC UL94V-0 (BLACK COLOR)
- Contact Mateial : Phosphor Bronze T=0.35mm
- Plating:: Contact Area- Selection Gold Plating.
- Shield : Copper Alloy 0.20mm Thickness Plating Ni .

Feature:

- RJ45 10/100Base-Tx Transformer Jack With Transformer /Impedance Resistor/High Voltage Capacitor.
- Size Same As RJ-45 Modular Jack To Save PCB Board Space.
- Reduce EMI Radiation, Improve EMI Performance.
- Designed For Network Interface Card Application.
- Designed To Meet IEEE 802.3z Requirement.
- Designed For 100 Base Transmission over UTP-5 Cable.
- Operation Temperature Range: 0° C To 70° C

Mechanical:

- Operating Life: 1000 Cycles Min.
- PCB Retention Pre-Solder: 1 Lb Min.
- Harmful material control follow RoHS

Environmental:

- Storage: 0° C To 70° C.
- Mates With Modular Plug Conforming To Fcc Part 68, Subpart F.

PRINCIPAL	PROJECT	SEQUENCE NUMBER
IQC	DIMENSION	① ② ③ ④ ⑤
IPQC	INSPECTION	③ ④ ⑤

PART NUMBER:

52 6T — 2E18860206

- PART NUMBER: 52 6T — 2E18860206
- 52 SERIES: _____
- Product Style: 6T-带滤波器 _____
- Transformer feature: _____
- 2-HRJ-628 _____
- TYPE SHIELD: E-新结构 _____
- PORTS (插口) : 1-1X1 _____
- POSITIONS: 8-8P _____
- CONTACTS: 8-8C _____
- PEG/TAB (边定位脚) : 6-BACK PEG 3.89 _____
- GOLD PLATING _____
- 1-FU"; 2-2U"; 3-3U"; 4-6U"; _____
- 5-15U"; 6-30U" _____
- LOGO 标识 _____
- 0-W/O LOGO 1-W/HAXN _____
- PLASTIC MATERI ANL & COLOR OPTION _____
- 1-PBT BLACK 2-PA46 BLACK 3-LCP BLACK _____
- LED STYLE &COLOR _____
- 0-W/O LED _____
- 7-L LED:GREEN R LED: YELLOW (---) _____

IF THE PRODUCT IS "GP"PART NUMBER THAT MUST BE MEET "GP" SPECIFICATION FROM HUA XIN CORP..		HAXIN 乐清市华信电子有限公司 YUEQING HUAXIN ELECTRONIC CO.,LTD.	
Inspection Item Cp/Cpk and SPC Control Item	DIMENSION IN mm [Inch]	专检号 FILE NO.	图号 DWG NO. 526T-8P-004
	TOLERANCE UNLESS OTHERWISE SPECIFIED	名称 TITLE 526T新结构 180度 1X1 JACK (脚后3.89mm) 带灯盲表	
	.X± 0.20 X.*± 1° .XX± 0.15 .X.*± 0.5° .XXX± 0.075	制图 DRAW HMD	画法 PROJ.
核准 APPROVE David	审核 CHECK David	比例 SCALE 1:1	图幅 SIZE A4
		更改 REV A	

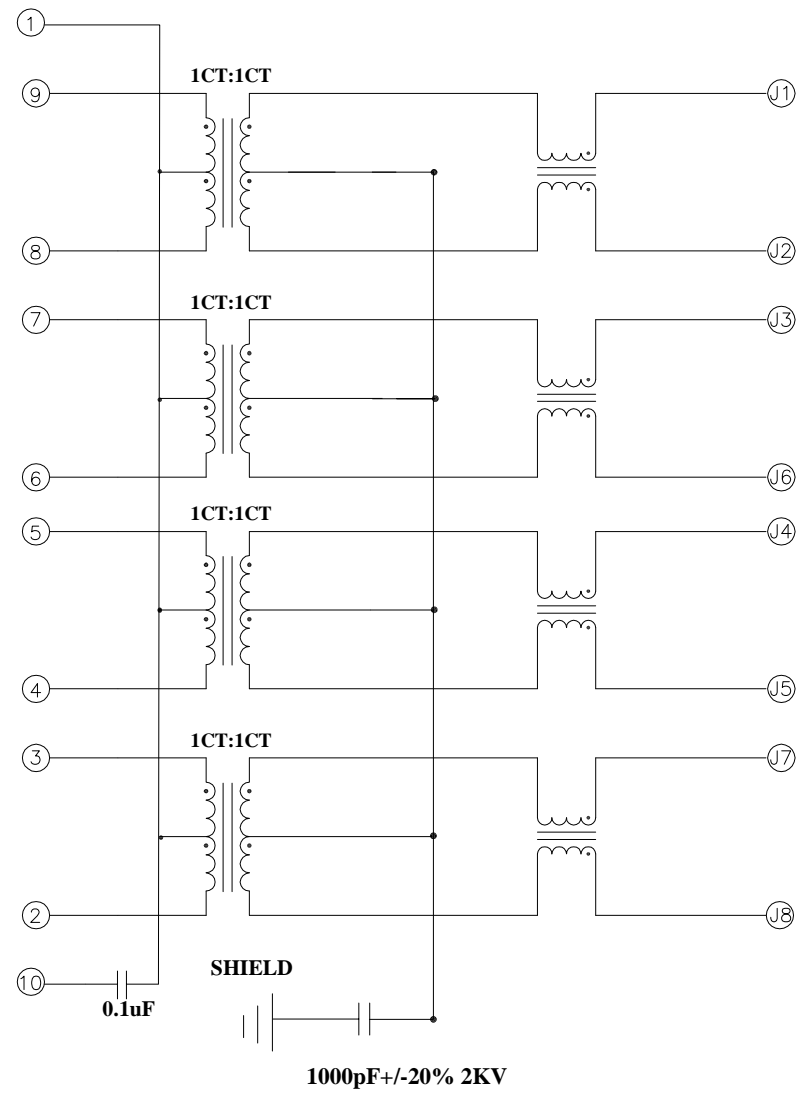
F
E
D
C
B
A

1 2 3 4 5 6 7 8

更改 REV	更改内容 MODIFICATION	日期 DATE	制图 DRAW	审核 APPROVE
A	图面发行	2023/4/27	HMD	David
B	修改PIN号	2023/5/5	HMD	David
C	取消参照	2023.5.6	HMD	David

Electrical Specification @ 25 °C

PARAMETER	SPECIFICATIONS	
TURN RATIO	1.00 ± 2%	
POLARITY	PER SCHEMATIC	
INSERTION LOSS (DATA CHANNELS)	100 KHz-125MHz -1.2 dB MAX	
RETURN LOSS (Z OUT=100 OHM ±1%)	0.5-40 MHz	40 MHz-100 MHz
	-18 dB MIN	-12+20LOG(f/80MHz)dB
CROSS TALK LOSS	1-100 MHz	
	-30 dB MIN	
COMMON MODE REJECTION RATIO	1-100 MHz	
	-30 dB MIN	
INDUCTANCE (OCL)	350 uH MIN @ 100 KHz, 100 mV,8mA DC BIAS	
HIPOT-OUTPUT ISOLATION	2250 VDC MIN @ 60 SECONDS	



1 2 3 4 5 6 7 8

IF THE PRODUCT IS "GP"PART NUMBER THAT MUST BE MEET "GP" SPECIFICATION FROM HUA XIN CORP..			
QC : Inspection Item Cpk : Cp/Cpk and SPC Control Item	DIMENSION IN mm [Inch]		乐清市华信电子有限公司 YUEQING HUAXIN ELECTRONIC CO.,LTD.
	TOLERANCE UNLESS OTHERWISE SPECIFIED		图号 FILE NO. HRJ-628 图号 DWG NO. HRJ-628
	.X± 0.20	X.*± 1°	名称 TITLE HRJ-628 千兆
	.XX± 0.15	.X*± 0.5°	
.XXX± 0.075		制图 DRAW HMD 审核 CHECK David 角法 PROJ. 比例 SCALE 1:1 图框 SIZE A3 页数 SHEET 2 / 2 更改 REV C	

This information is confidential and shall not be reproduced or used for other purposes without the permission of huaxin company.